

LED Lamp Wall Sconce

WS8124-CH

INSTALLATION SHEET

- 1.** Remove the fixture from its original packaging. Remove the canopy mounting plate from within the canopy and attach it to the electrical junction box, using the two screws provided in the hardware package.
- 2.** Attach the canopy to the mounting plate which is attached to the electrical junction box on the wall. First attach all wiring with the provided marrets (white to white "N", black to black "L", ground to ground "G"). Push the screws through the canopy plate so they are poking through, once this is complete you can screw on the decorative nuts until tight.
- 3.** Install the glass light cover onto the fixture by sliding the glass cover into place over top of the engine, and along the glass receiver bar installed on the canopy of the fixture. **(3a)** now tighten the metal clips using the locking nuts to secure the glass cover to the canopy. **(3b)** finally, you can now install the metal end plate to further secure the glass light cover to the fixture.
- 4.** You have now completed the installation of your fixture, please enjoy.

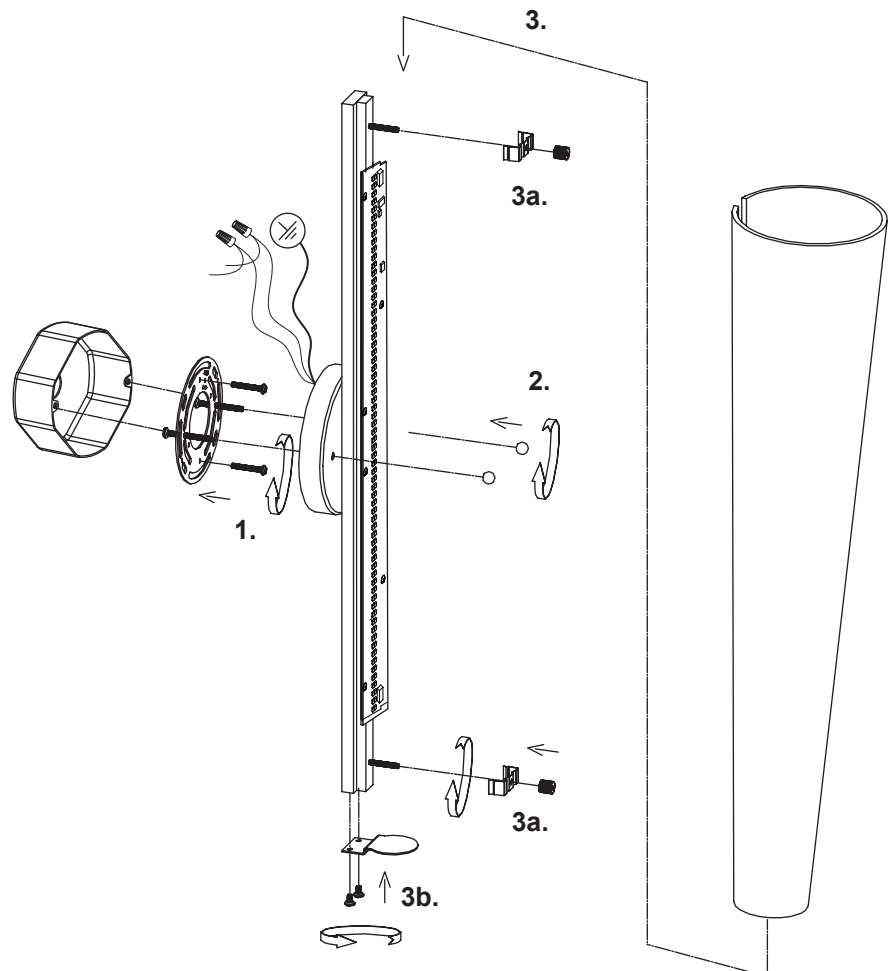
START FROM HERE

- Make sure power is completely off at the fuse box.
- Have your fixture installed by a qualified licensed electrician
- Prepare everything in clear area.
- Wear gloves at all times during this installation.
- Read instructions carefully before you start assembly.
- Keep this instruction sheet for future reference.

Technical Support: 1-877-452-6858

Please Note:

- All Kuzco LED fixtures come with pre-wired LED module(s).
- Unless instructed to do so, please do not touch any part of the LED module(s) as any unnecessary contact with the module could cause permanent damage.
- For dimming, an ELV (Electronic Low Voltage) dimmer is required.



KUZCO
LIGHTING

19054 28th Avenue, Surrey, BC, Canada V3Z 6M3
T: 604-538-7162 TF: 1-855-85-KUZCO F: 604-538-7196
W: kuzcolighting.com
20141105